

DATA SHEET

PM-1208R-W-MV series

LED stalk outline front/rear position lights



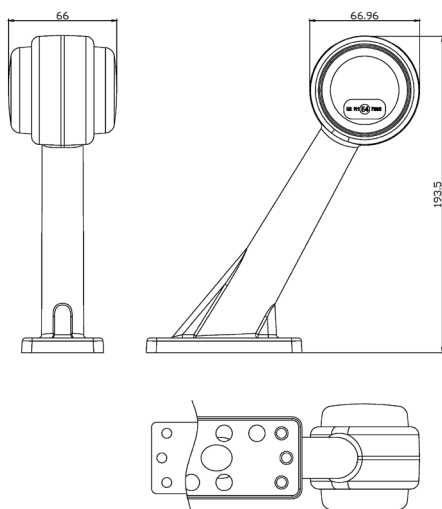
Images



Specifications

Functions:	LED stalk outline front/rear position lights Left & right hand versions
LEDs:	Front marker: 3 diodes Rear marker: 3 diodes
Certifications:	ECE Reg 7: 02 A/R1 E4 7895
Voltage:	Multi-voltage: 9-32V operating range
IP rating:	IP67
Operating temperature:	-30°C to + 50°C
Mounting:	Surface mounts with screws
Wiring:	170mm cable terminated in 2-way AMP connector
Power rating:	0.65W @ 13.5V / 1.3W @ 28V
Current draw:	0.06A @ 12V / 0.06A @ 24V
Reverse polarity protection:	Yes
Warranty:	3 years

Dimensions



Materials

Lens:	PMMA
Mounting arm:	EPDM

Part numbers

PM-1208R-W-MVL	LED stalk outline front/rear position light, left hand
PM-1208R-W-MVR	LED stalk outline front/rear position light, right hand

+44 (0) 1296 340045

sales@petersonseurope.co.uk
sales@petersonseurope.eu

petersonseurope.com
petersonseurope.eu

