

DATA SHEET

PM-1223A-4

LED direction indicator light

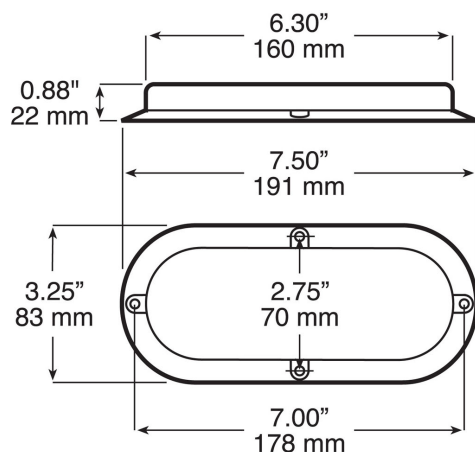


Images



Shown with B423-11 chrome bezel installed; available separately

Dimensions



Part number

PM-1223A-4	Direction indicator light
PM-B423-11	Chrome bezel

Specifications

Functions:	LED direction indicator light
LEDs:	11 x diodes
Lens colour:	Amber
Certifications:	ECE Reg 6 for mounting in the orientation shown
Dimensions:	191mm x 83mm x 22mm
Voltage:	Dual voltage 12/24V
Operating range:	9-32Vdc
IP rating:	IP67
Operating temperature:	-30°C to +50°C
Mounting:	Surface mounts Optional chrome bezel available: PM-B423-11
Wiring:	200mm cable terminated with partially-stripped wires Green: Indicator White: Ground
Power rating:	1.7W @ 12V / 1.7W @ 24V
Average current draw:	0.12A @ 12V / 0.06A @ 24V
Reverse polarity protection:	Yes
Warranty:	3 years

Materials

Lens:	PMMA-HI
Base:	ABS