

DATA SHEET

2217 LED combination rear stop / tail / indicator light
& fog / reverse light (grommet mount)



Images



PM-2217A-R



PM-2217F-C



Specifications: stop / tail / indicator

Functions:	LED combination rear stop / tail / indicator light
LEDs:	12x LEDs for stop/tail light 6 x LEDs for indicator light
Certifications:	ECE Reg 10: E6 10R05/01 1134 00 ECE Reg 6: E9 6R01/29 23125 00 (indicator) ECE Reg 7: E9 7R02/27 23125 00 (stop/tail)
Voltage:	Multi-voltage 9-32Vdc
IP Rating:	IP67
Operating temperature:	-30°C to +50°C
Mounting:	Grommet mount using PM-B426-18 grommet
Cable & Wiring	0.3m long sheathed cable White: ground Red: stop Brown: tail Green/yellow: indicator
Average Current Draw:	Stop: 0.158A @ 12V / 0.096A @ 24V Tail: 0.023A @ 12V / 0.021A @ 24V Indicator: 0.070A @ 12V / 0.046A @ 24V
Warranty:	3 years

Materials

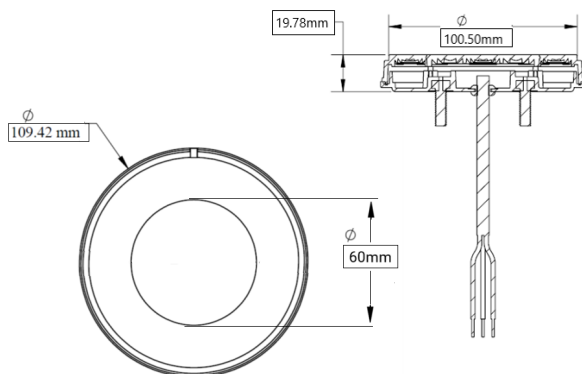
Lens: PMMA-HI
Base: ABS



Specifications: fog / reverse

Functions:	LED combination fog / reverse light
LEDs:	15 x LEDs for fog light 16 x LEDs for reverse light
Certifications:	ECE Reg 10: E6 10R05/01 1135 00 ECE Reg 23: E9 23R00/22 22161 00 (reverse) ECE Reg 38: E9 38R00/19 22161 00 (fog)
Voltage:	Multi-voltage 9-32Vdc
IP Rating:	IP67
Operating temperature:	-30°C to +50°C
Mounting:	Grommet mount using PM-B426-18 grommet
Cable & Wiring	0.3m long sheathed cable White = ground Blue = fog Yellow/Black = reverse
Average Current Draw:	Fog: 0.275A @ 12V / 0.154A @ 24V Reverse: 0.175A @ 12V / 0.096A @ 24V
Warranty:	3 years

Dimensions



Part numbers:

PM-2217A-R	LED combo stop/tail/indicator - grommet mount
PM-2217F-C	LED combo fog/reverse - grommet mount
PM-B426-18	Grommet