

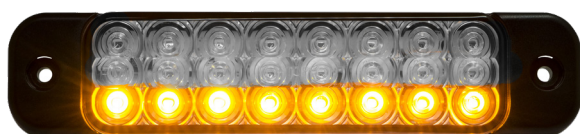
# DATA SHEET

PM-2291A-R

Combined LED stop, tail & direction indicator



## Images



Lens appears clear when unlit

## Specifications

**Functions:** Combined LED stop, tail & direction indicator  
Low-profile

**LEDs:** 24 LEDs:  
8 diode single-row indicator function  
16 diode double-row stop & tail functions

**Certifications:** ECE Reg 6 and 7 for both vertical & horizontal mounting:  
ECE R6: E9 6R 0129 22527  
ECE R7: E9 7R 0227 22527  
ECE Reg 10: E6 10R05 011029

**Voltage:** 12/24V

**IP rating:** IP67

**Operating temperature:** -30°C to +50°C

**Mounting:** Surface mounts

**Wiring:** Hard-wired terminals potted in polyurethane  
2 metre long cable:  
Red: stop  
Brown: tail  
Yellow: direction indicator  
White: ground

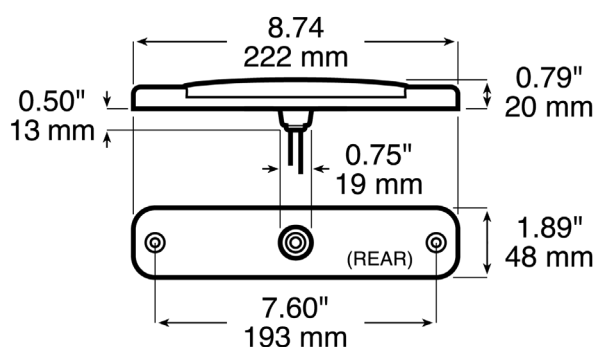
**Power rating:** Stop: 5.2W @ 12V / 4.5W @ 24V  
Tail: 0.5W @ 12V / 0.7W @ 24V  
Indicator: 4.1W @ 12V / 4.5W @ 24V

**Current draw:** Stop: 0.30A @ 13.5V / 0.16A @ 28V  
Tail: 0.025A @ 13.5V / 0.015A @ 28V  
Indicator: 0.20A @ 13.5V / 0.11A @ 28V:

**Reverse polarity protection:** Yes

**Warranty:** 3 years

## Dimensions



## Materials

**Lens:** PMMA-HI

**Housing:** ABS

## Part number

PM-2291A-R	Combination LED stop, tail & direction indicator
------------	--