

DATA SHEET

PM-850A

LED direction indicator module



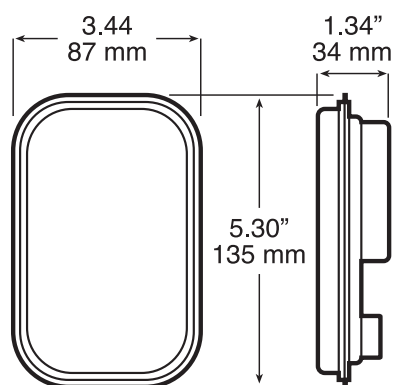
Images



Specifications

Functions:	LED direction indicator module
LEDs:	11 x diodes
Lens colour:	Amber
Certifications:	ECE Reg 6 for all included functions, when mounted horizontally or vertically
Voltage:	Dual voltage 12/24V
Operating range:	9-32Vdc
IP rating:	IP67
Operating temperature:	-30°C to +50°C
Mounting:	Surface mounts using B850 series bracket or flush mounts using B850-18 grommet May be mounted horizontally or vertically
Wiring:	300mm cable terminated in partially-stripped wires Green / yellow = indicator White = ground
Power rating:	5.2W @ 12V / 6.24W @ 24V
Average current draw:	0.38A @ 12V / 0.21A @ 24V
Reverse polarity protection:	Yes
Warranty:	3 years

Dimensions



Part number

PM-850A	Direction indicator module
---------	----------------------------

Materials

Lens:	PMMA-HI
Base:	ABS