

DATA SHEET

PM-851A-R

Combo LED stop, position, indicator light module



Images

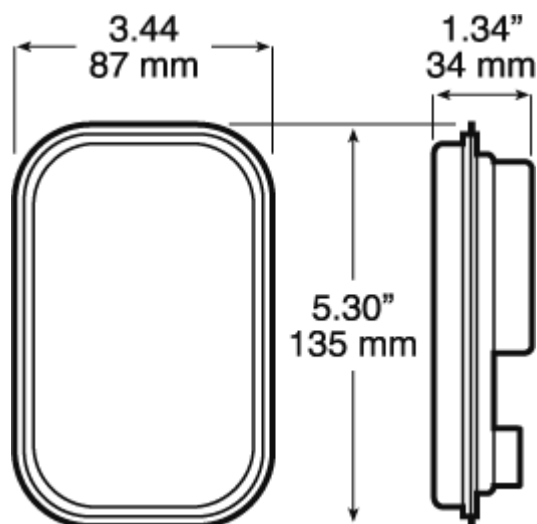


Clear lens when unlit

Specifications

- Functions:** Rear combination LED stop, position, indicator light module
- LEDs:** 14 LEDs : 7 diodes - stop & rear position functions
7 diodes - indicator function
- Lens colour:** Clear
- Certifications:** ECE certified for all included functions, when mounted horizontally or vertically
ECE Reg 6 E6 06R 010859
ECE Reg 7 E6 07R 020859
ECE Reg 10-05 E6 10R05/01 1124 00
- Dimensions:** 135 x 86 x 34mm
- Voltage:** 12/24Vdc
- IP rating:** IP67
- Operating temperature:** -30°C to +50°C
- Mounting:** Surface mounts using B850 bracket or flush mounts using B850-18 grommet
- Wiring:** 300mm cable terminated in partially-stripped wires
Red = stop
Brown = rear position
Green/yellow = indicator
White = ground
- Current draw:** Stop: 0.23A @ 12V / 0.12A @ 24V
Rear position: 0.03A @ 12V / 0.02A @ 24V
Indicator: 0.16A @ 12V / 0.08A @ 24V
- Reverse polarity protection:** Yes
- Warranty:** 3 years

Dimensions



Part number

PM-851A-R	Combination LED stop, position, indicator light module
-----------	--

Materials

- Lens:** PMMA-HI
- Housing:** ABS