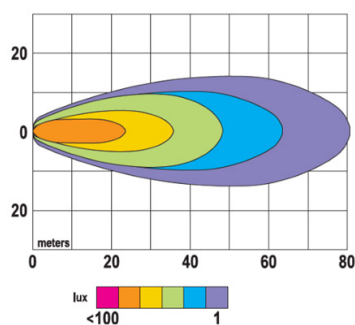


DATA SHEET

PM-910-MV
LED work light



Images

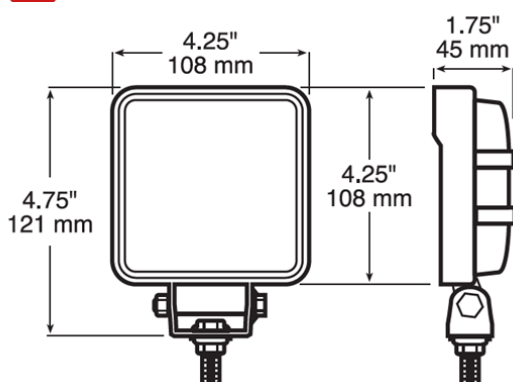


Specifications

Functions:	LED work light
LEDs:	9 x high brightness white diodes
Output:	1200 lumens
Light pattern:	Flood light pattern
Certifications:	ECE Reg 10: E50-10R-050067
Dimensions:	100 x 100mm square design
Voltage:	Multi-voltage
Operating range:	10-30Vdc
IP rating:	IP69K
Operating temperature:	-40°C to +65°C
Mounting:	U-bracket with M10x25mm bolt, nut and washer
Cables & Wiring:	Co-extruded 18 AWG, 50cm +/- 5cm long Red wire = power Black wire = ground
Current draw:	1.2A @ 13.5V / 0.6A @ 28V
Reverse polarity protection:	Yes
Warranty:	3 years



Dimensions



Materials

Lens:	Polycarbonate
Housing:	Die cast aluminium, black E-coat finish
Mounting:	Stainless steel

Part number

PM-910-MV	LED work light
-----------	----------------

PM-910 versions with Deutsch connector and optional switch and handle are also available

+44 (0) 1296 340045

sales@peterson europe.co.uk
sales@peterson europe.eu

peterson europe.com
peterson europe.eu

