



**Peterson Europe**

*Vehicle lighting solutions*

*by design, by technology, by quality*

**EXCEPTIONAL QUALITY FROM A  
BRAND YOU CAN TRUST**



1350 lumens measured output

Flood pattern

Multi-voltage: 10-30Vdc

100 x 100mm square design

Aluminium die cast housing, black E-coat finish

Polycarbonate lens

Stainless steel mounting

Certified to ECE Reg 10

IP69K rated



**PM-910-MV**  
LED work light



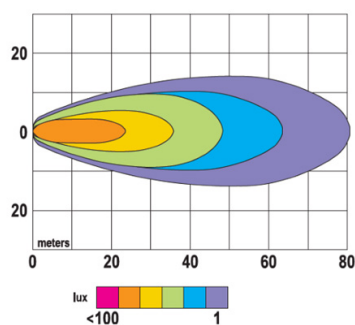


# DATA SHEET

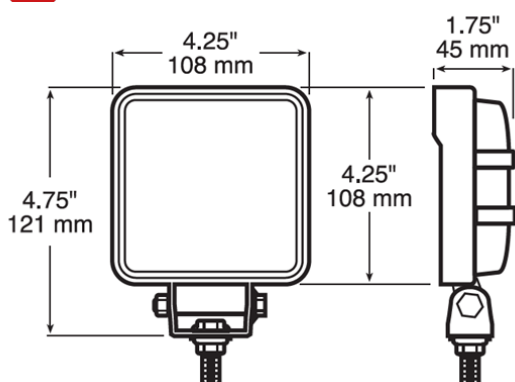
PM-910-MV  
LED work light



## Images



## Dimensions



## Specifications

<b>Functions:</b>	LED work light
<b>LEDs:</b>	9 x high brightness white diodes
<b>Output:</b>	1350 lumens
<b>Light pattern:</b>	Flood light pattern
<b>Certifications:</b>	ECE Reg 10: E50-10R-050067
<b>Dimensions:</b>	100 x 100mm square design
<b>Voltage:</b>	Multi-voltage
<b>Operating range:</b>	10-30Vdc
<b>IP rating:</b>	IP69K
<b>Operating temperature:</b>	-40°C to +65°C
<b>Mounting:</b>	U-bracket with M10x25mm bolt, nut and washer
<b>Cables &amp; Wiring:</b>	Co-extruded 18 AWG, 50cm +/- 5cm long Red wire = power Black wire = ground
<b>Current draw:</b>	1.2A @ 13.5V / 0.6A @ 28V
<b>Reverse polarity protection:</b>	Yes
<b>Warranty:</b>	3 years

## Materials

<b>Lens:</b>	Polycarbonate
<b>Housing:</b>	Die cast aluminium, black E-coat finish
<b>Mounting:</b>	Stainless steel

## Part number

PM-910-MV	LED work light
-----------	----------------

PM-910 versions with Deutsch connector and optional switch and handle are also available

+44 (0) 1296 340045

sales@peterson europe.co.uk  
sales@peterson europe.eu

peterson europe.com  
peterson europe.eu

