

DATA SHEET

PM-910 DT series

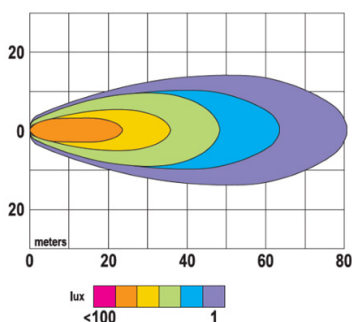
LED work light with integral Deutsch connector



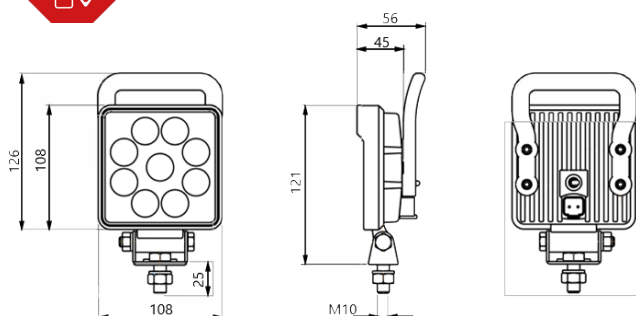
Images



Image shown with optional handle and manual control switch



Dimensions



Drawing shown with optional handle and manual control switch



Specifications

- Functions:** LED work light with Deutsch connector and optional handle and/or manual control switch
- LEDs:** 9 x high brightness white diodes
- Output:** 1200 lumens
- Light pattern:** Flood light pattern
- Certifications:** ECE Reg 10: E50-10R-050067
- Dimensions:** 100 x 100mm square design
- Voltage:** Multi-voltage
- Operating range:** 10-30Vdc
- IP rating:** IP69K
- Operating temperature:** -40°C to +65°C
- Mounting:** U-bracket with M10x25mm bolt, nut and washer
- Cables & Wiring:** Integral DT compatible receptacle
Supplied with mating DT Plug and cable, 0.5mm 2 twin core, 20cm long
Red wire = power
Black wire = ground
- Current draw:** 1.2A @ 13.5V / 0.6A @ 28V
- Reverse polarity protection:** Yes
- Warranty:** 3 years



Materials

- Lens:** Polycarbonate
- Housing:** Die cast aluminium, black E-coat finish
- Handle:** Die cast
- Mounting:** Stainless steel

Part numbers

PM-910-MV-DT	LED work light with integral DT connector
PM-910S-MV-DT	LED work light with integral DT connector and switch
PM-910SH-MV-DT	LED work light with integral DT connector, switch & handle

Standard PM-910-MV work light without DT connector also available