



Peterson Europe

Vehicle lighting solutions

by design, by technology, by quality

**EXCEPTIONAL QUALITY FROM A
BRAND YOU CAN TRUST**



1350 lumens measured output

Integral Deutsch connector

Optional handle and/or manual control switch

Flood pattern

Multi-voltage: 10-30Vdc

100 x 100mm square design

Aluminium die cast housing, black E-coat finish

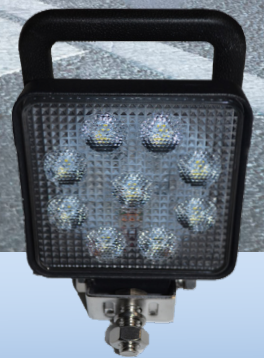
Polycarbonate lens

Stainless steel mounting

Certified to ECE Reg 10

IP69K rated

Standard PM-910 work light without DT connector also available



PM-910 DT series

LED work light with integral Deutsch connector



DATA SHEET

PM-910 DT series

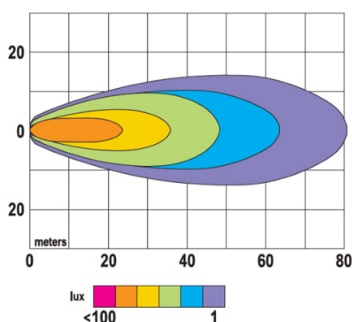
LED work light with integral Deutsch connector



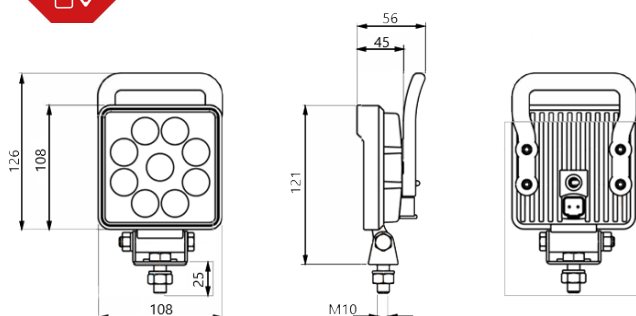
Images



Image shown with optional handle and manual control switch



Dimensions



Drawing shown with optional handle and manual control switch



Specifications

- Functions:** LED work light with Deutsch connector and optional handle and/or manual control switch
- LEDs:** 9 x high brightness white diodes
- Output:** 1350 lumens
- Light pattern:** Flood light pattern
- Certifications:** ECE Reg 10: E50-10R-050067
- Dimensions:** 100 x 100mm square design
- Voltage:** Multi-voltage
- Operating range:** 10-30Vdc
- IP rating:** IP69K
- Operating temperature:** -40°C to +65°C
- Mounting:** U-bracket with M10x25mm bolt, nut and washer
- Cables & Wiring:** Integral DT compatible receptacle
Supplied with mating DT Plug and cable, 0.5mm 2 twin core, 20cm long
Red wire = power
Black wire = ground
- Current draw:** 1.2A @ 13.5V / 0.6A @ 28V
- Reverse polarity protection:** Yes
- Warranty:** 3 years



Materials

- Lens:** Polycarbonate
- Housing:** Die cast aluminium, black E-coat finish
- Handle:** Die cast
- Mounting:** Stainless steel

Part numbers

PM-910-MV-DT	LED work light with integral DT connector
PM-910S-MV-DT	LED work light with integral DT connector and switch
PM-910SH-MV-DT	LED work light with integral DT connector, switch & handle

Standard PM-910-MV work light without DT connector also available