



Peterson Europe

Vehicle lighting solutions

by design, by technology, by quality

EXCEPTIONAL QUALITY FROM A
BRAND YOU CAN TRUST



Supplied with removable surface-mount bracket, or can be recessed mounted without bracket



Optional B388-09X chrome bracket

For utility and auxiliary use, exterior or interior
Surface or recess mount

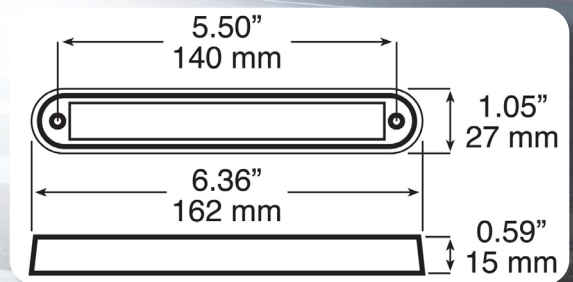
Available in red, amber, white & blue

Optional chrome bracket available, PM-B388-09X

80 lumens (M388C white)

Dual voltage 12/24V

IP67 rated



Drawing shown with light in bracket

PM-M388 series
Auxiliary light



DATA SHEET

PM-M388

Utility & Auxiliary Light



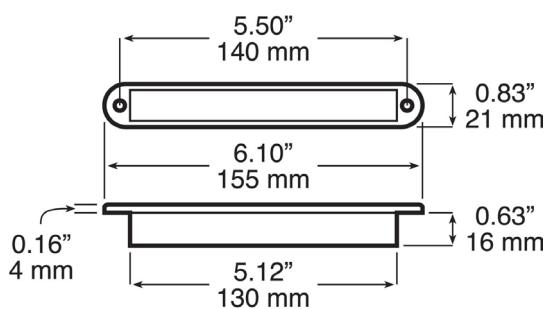
Images



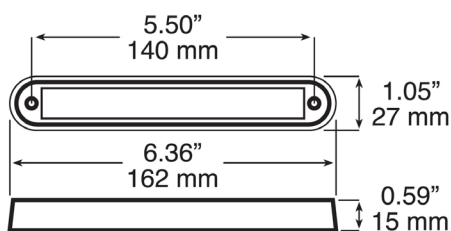
Specifications

Functions:	Utility & auxiliary light Exterior or interior use
LEDs:	16 x coloured diodes 16 x Great White® diodes (388C white)
Colours:	White, amber, red & blue
Lens colour:	Clear
Output:	80 lumens (PM-388C white)
Voltage:	Multi-voltage 12/24Vdc
IP rating:	IP67
Operating temperature:	-30°C to +50°C
Mounting:	Surface mount with bracket or recess mount without bracket Black bracket supplied (388WB supplied with white bracket - great for marine use) Optional chrome bracket available separately
Wiring:	Hard wired with partially-stripped ends Wires exit in centre of light
Current draw:	Low amp draw
Reverse polarity protection:	Yes
Warranty:	3 years

Dimensions



PM-M388 without bracket



PM-M388 with bracket

Materials

Lens:	Polycarbonate
Housing:	PA66 GF30

Part numbers

PM-M388A	Amber, black bracket
PM-M388C	White, black bracket
PM-M388R	Red, black bracket
PM-M388WB	Blue, white bracket
PM-B388-09X	Optional chrome bracket