

DATA SHEET



SL-09011 series LED scene light



Images

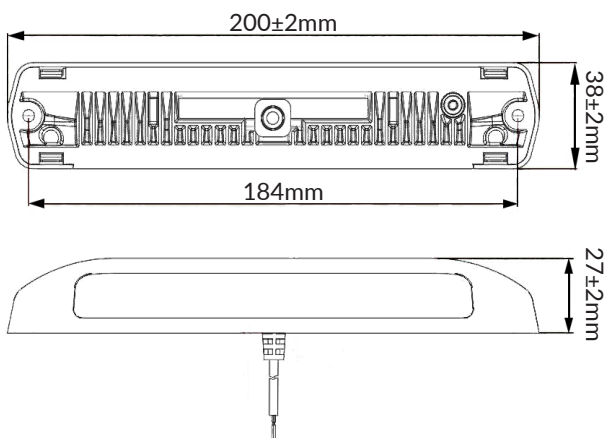


Specifications

Functions:	LED scene light
LEDs:	6 x XTE2 LEDs
Lens colour:	Clear
Flash pattern:	Steady burn
Output:	Effective lumens: 816 @ 12V 844 @ 24V
Beam angle:	Horizontal: 120° Side: 60°
Certifications:	ECE R10 E9 10R06/00 22573 00
Dimensions:	200mm x 38mm x 27mm
Voltage:	10-30Vdc
IP rating:	IP67
Operating temperature:	-30°C to +50°C
Mounting:	Installed using concealed screws
Wiring:	240mm cable terminated in partially stripped wires Red = positive Black = negative
Power rating:	10W
Current draw:	0.75A @ 12V / 0.4A @ 24V
Reverse polarity protection:	Yes
Warranty:	3 years



Dimensions



Materials

Lens:	Polycarbonate
Base:	Aluminium base/housing - heat dissipating, with rubber gasket

Part numbers

SL-09011B	LED scene light, surface mount, black bezel
SL-09011R	LED scene light, surface mount, red bezel
SL-09011W	LED scene light, surface mount, white bezel
SL-09011Y	LED scene light, surface mount, yellow bezel

SL-09099B	Black bezel for SL-09011 scene light
SL-09099R	Red bezel for SL-09011 scene light
SL-09099W	White bezel for SL-09011 scene light
SL-09099Y	Yellow bezel for SL-09011 scene light