



**Peterson Europe**  
*Vehicle lighting solutions*  
 by design, by technology, by quality



**EXCEPTIONAL QUALITY FROM A  
 BRAND YOU CAN TRUST**

**This rechargeable magnetic LED work light is ideal for use in many different applications and industries**

- » Rechargeable battery (4 hours discharge / 4 hours recharge)
- » Heavy-duty with magnetic base and carry handle
- » 9 x 1W LEDs (white & amber)
- » 850 lumens
- » Wide flood beam
- » 12-24Vdc
- » Four operating modes:
  - 100% intensity white
  - 50% intensity white
  - SOS flash amber
  - Flash white
- » Supplied with in-car charger and AC charging cable (UK 3-pin plug or European 2-pin plug available)
- » Heavy duty
- » Combines mobility and high performance
- » Low operating costs & high efficiency



SL-10099	Rechargeable magnetic work light, UK 3-pin plug
SL-10099- EU	Rechargeable magnetic work light, European 2-pin plug

**SL-10099**

**Rechargeable magnetic LED work light**



# DATA SHEET

SL-10099

Rechargeable magnetic work light



## Images

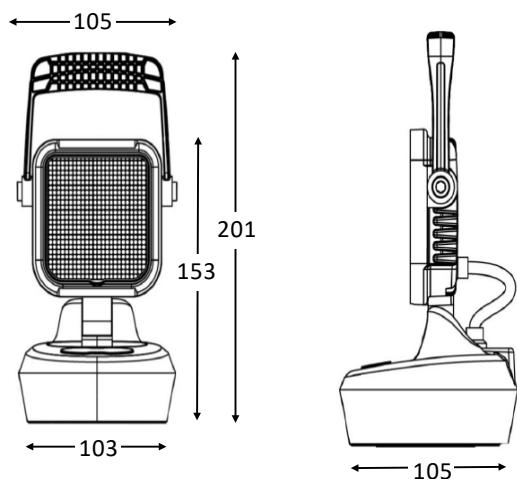


## Specifications

- Functions:** Heavy duty, rechargeable magnetic LED work light
- LEDs:** 9 x 1W LEDs (white and amber)
- Output:** 850 lumens
- Light pattern:** Wide flood beam
- Voltage:** 12/24Vdc
- Operating modes:** 100% intensity white  
50% intensity white  
SOS flash amber  
Flash white
- Mounting:** Magnetic base with carry handle
- Cables:** Supplied with in-car charger and AC charging cable  
UK 3-pin or European 2-pin plug available
- Current:** 12V = 1 Amp 24V = .5 Amp
- Battery life:** 4 hours discharge  
4 hours recharge
- Warranty:** 2 years



## Dimensions



## Materials

- Outer lens:** Polycarbonate
- Housing:** ABS plastic housing  
Magnetic base plate
- Fixings:** Stainless steel

## Part numbers

SL-10099	Rechargeable magnetic work light, UK 3-pin plug
SL-10099- EU	Rechargeable magnetic work light, European 2-pin plug