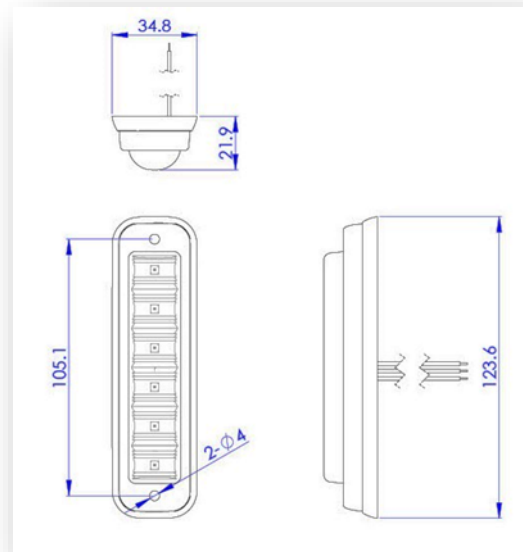


# DATA SHEET

R65 directional warning light, amber, vertical mount  
SL-10426



## Features

- Certified to ECE R65 for vertical mounting
- Double flash pattern
- Multivoltage 10-30Vdc
- Multiple units can be synchronised
- Reverse polarity protection
- Easy installation



## Materials

- Lens: Polycarbonate
- Base: Aluminium
- Bezel: Polycarbonate
- Grommet: EPDM



## Specifications

- Certified to ECE R65 for vertical mounting:  
E4 XA1-006697
- Certified to ECE R10: E4 10R-05 4151  
6 x high power amber diodes
- IP67 ingress protection
- Power rating: 9W
- Average current draw: 0.56A @12.8Vdc /  
0.32A @25.6Vdc
- Cable: 20cm 3-core cable 20AWG, partially  
stripped wires
  - Red = power
  - Black = ground
  - Yellow = synchronising
- Operating temperature: -30°C to +50°C

Part Number

SL-10426

R65 LED directional, amber, vertical mount