



**Peterson Europe**

*Standing out from the crowd...*

*by design, by technology, by quality*

**sentinel**  
safety products

**EXCEPTIONAL QUALITY FROM A  
BRAND YOU CAN TRUST**

**This rechargeable magnetic LED work light is ideal for use  
in many different applications and industries**

- ▶ **Rechargeable battery (4 hours discharge / 4 hours recharge)**
- ▶ **Supplied with in-car charger and AC charging cable (UK 3-pin plug or European 2-pin plug available)**
- ▶ **Carry handle**
- ▶ **9 x 1w LEDs (white & amber)**
- ▶ **Flood beam**
- ▶ **Four operating modes:**
  - 100% intensity white
  - 50% intensity white
  - SOS flash amber
  - Flash white
- ▶ **Heavy duty**
- ▶ **Combines mobility and high performance**
- ▶ **Low operating costs & high efficiency**

Part numbers

SL-10099	Rechargeable magnetic work light, UK 3-pin plug
SL-10099-EU	Rechargeable magnetic work light, European 2-pin plug

**SL-10099**

**Rechargeable magnetic LED work light**



# DATA SHEET



## Rechargeable magnetic LED work light SL-10099

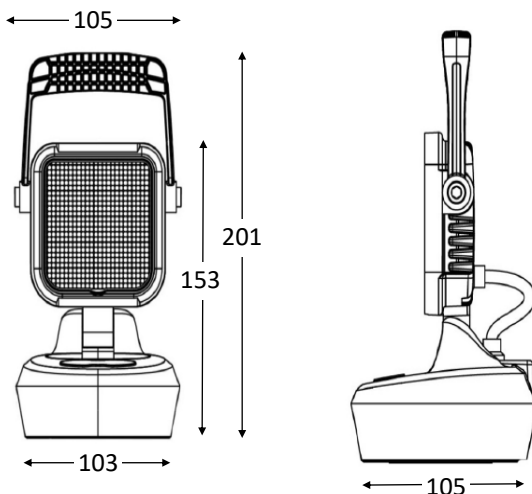
### Image



### Specifications

<b>Functions:</b>	Heavy duty, rechargeable magnetic LED work light
<b>LEDs:</b>	9 x 1w LEDs (white and amber)
<b>Output:</b>	850 lumens
<b>Light pattern:</b>	Wide flood beam
<b>Voltage:</b>	12/24Vdc
<b>Operating modes:</b>	100% intensity white 50% intensity white SOS flash amber Flash white
<b>Mounting:</b>	Magnetic base with carry handle
<b>Cables:</b>	Supplied with in-car charger and AC charging cable UK 3-pin plug or European 2-pin plug available
<b>Current:</b>	12V = 1 Amp    24V = 0.5 Amp
<b>Battery life:</b>	4 hours discharge 4 hours recharge
<b>Warranty:</b>	2 years

### Dimensions



### Materials

<b>Outer lens:</b>	Polycarbonate
<b>Housing:</b>	ABS plastic housing Magnetic base plate
<b>Fixings:</b>	Stainless steel

### Part numbers

SL-10099	Rechargeable magnetic work light, UK 3-pin plug
SL-10099-EU	Rechargeable magnetic work light, European 2-pin plug