

# DATA SHEET



SL-10426

R65 directional warning light, amber, vertical mount



## Images

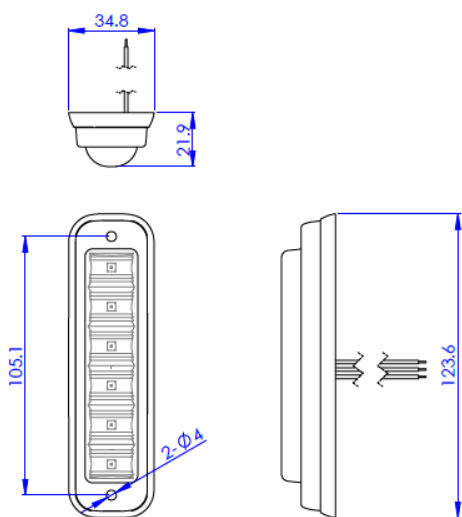


## Specifications

<b>Functions:</b>	LED directional warning light Easy installation
<b>LEDs:</b>	6 x high power diodes
<b>LED colour:</b>	Amber
<b>Flash pattern:</b>	Double flash pattern Multiple units can be synchronised
<b>Certifications:</b>	ECE Reg 65: E4 XA1-006697 for vertical mounting ECE Reg 10: E4 10R-05 4151
<b>Voltage:</b>	Multivoltage 10-30Vdc
<b>IP rating:</b>	IP67
<b>Operating temperature:</b>	-30°C to +50°C
<b>Mounting:</b>	Surface mount, vertical
<b>Wiring:</b>	20cm 3-core cable 20AWG, partially stripped wires Red = power Black = ground Yellow = synchronising
<b>Power rating:</b>	9W
<b>Current draw:</b>	0.56A @ 12.8Vdc / 0.32A @ 25.6Vdc
<b>Reverse polarity protection:</b>	Yes
<b>Warranty:</b>	3 years



## Dimensions



dimensions shown in mm



## Materials

<b>Lens:</b>	Polycarbonate
<b>Base:</b>	Aluminium, black ED coated
<b>Bezel:</b>	Polycarbonate
<b>Grommet:</b>	EDPM

## Part number

SL-10426	R65 LED directional, amber, vertical mount
----------	--