



sentinel
vehicle lighting

VEHICLE LIGHTING CATALOGUE

EDITION 8



sentinel
vehicle lighting

Peterson Europe

Our growing range of quality **Sentinel Vehicle Lighting** is brought to you by a team with extensive experience in the development and manufacturing of LED warning and vehicle lighting products. The Sentinel product range is built on the 3 cornerstones of aesthetic design, product quality and cost-effective manufacture.

- We offer
- Distribution from warehouses located in the UK and in Belgium
 - Bespoke Solutions
 - O.E. Specification
 - Superior Quality

Operating across a wide variety of vehicle sectors, we are an industry leader in LED vehicle lighting technology.



TABLE OF CONTENTS

LED DIRECTIONALS

| | |
|--------------------------------------|-----|
| Overview | 1 |
| LED Directional Pads | 2 |
| LED Directionals | 3-5 |
| LED Directional & Marker Light | 5 |

SCENE LIGHTS

| |
|-----|
| 6-7 |
|-----|

WORK LIGHTS

| |
|------|
| 8-10 |
|------|

LED BEACONS

| | |
|--------------------|-------|
| Overview | 11 |
| Condor Range | 12-13 |
| Fulmar | 14 |
| Skua | 14 |
| Merlin Range | 15 |

CORNER LIGHTHEAD

| |
|-------|
| 16-17 |
|-------|

LIGHTBARS

| | |
|------------------------|-------|
| Overview | 18 |
| Diamondback Mini | 18 |
| Solis Range | 19-22 |

LED FORWARD LIGHTING

| |
|-------|
| 23-24 |
|-------|

PART NUMBER INDEX

| |
|----|
| 25 |
|----|

LED DIRECTIONALS

Overview

Our certified LED directional products offer a wide range of fitting and mounting options to suit a variety of applications in many market sectors. We also have 9 featured R65 types in our range. The LED directional range comes with a 3 year warranty.

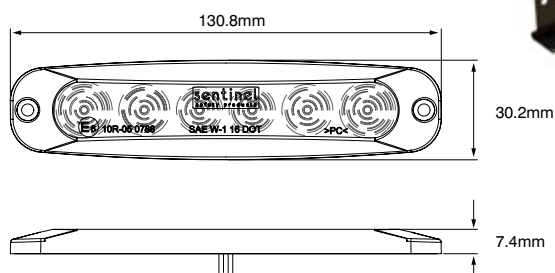
3 year
Warranty



Market Sectors



| LED DIRECTIONALS | | | | | | |
|--------------------------------|---|--|--|---------------------------|---------------------------|---|
| Product | Image | | | Colours | Page | |
| LED directional pad | SL-1045X  | SL-1046X  | SL-1065X  | Amber, red, blue or white | 2 | |
| LED directional | SL-1043X  | SL-10421X  | SL-10426  | Amber | 3 | |
| LED directional | SL-1003X  | SL-1040X  | SL-1044X  | Amber, blue or white | 4 | |
| LED directional | SL-1047X  | | | | Amber, red, blue | 5 |
| LED directional & marker light | SL-107XX  | | | | Amber, red, blue or white | 5 |



SL-1045X SERIES

- 6 diode super-low profile: only 7.4mm deep
- Certified to ECE R10
- Multi-voltage 9-32Vdc
- 14 selectable flash patterns, including steady burn
- Multiple units can be synchronised to flash simultaneously or alternately
- Self-adhesive pad mount or screw mount
- IP67

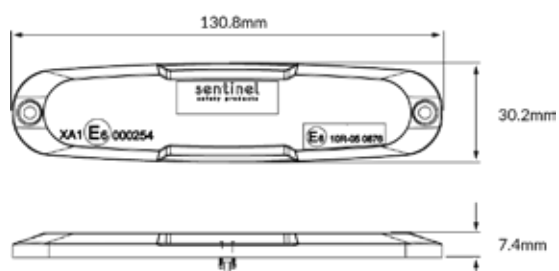
| Part Number | Description |
|-------------|-----------------------------|
| SL-10451 | LED directional pad – amber |
| SL-10452 | LED directional pad – red |
| SL-10453 | LED directional pad – blue |
| SL-10454 | LED directional pad – white |
| SL-10459 | Mounting bracket |



SL-1046X SERIES

- 3 diode super-low profile: only 6.6mm deep
- Certified to ECE R10
- Multi-voltage 10-30Vdc
- 12 selectable flash patterns, including steady burn
- Multiple units can be synchronised to flash simultaneously or alternately
- Self-adhesive pad mount or screw mount
- IP67

| Part Number | Description |
|-------------|-----------------------------|
| SL-10461 | LED directional pad – amber |
| SL-10462 | LED directional pad – red |
| SL-10463 | LED directional pad – blue |
| SL-10464 | LED directional pad – white |
| SL-10469 | Mounting bracket |



SL-1065X SERIES

- 6 diode super-low profile: only 7.4mm deep
- Certified to ECE R65 in amber
- Certified to ECE R10
- Multi-voltage 9-32Vdc
- 21 selectable flash patterns, including steady burn
- Multiple units can be synchronised to flash simultaneously or alternately
- Self-adhesive pad mount or screw mount
- IP67



| Part Number | Description |
|-------------|-----------------------------|
| SL-10651 | LED directional pad - amber |

R65 in red and blue available on request



SL-1043X SERIES

- 3 diode low profile: only 9mm deep
- ECE R65 double flash pattern, amber
- Certified to ECE R10
- Multi-voltage 9-32Vdc
- 16 selectable flash patterns
- Up to 15 units can be synchronised
- Reverse polarity protected
- IP68



| Part Number | Description |
|-------------|-----------------------------|
| SL-10431 | LED directional – amber |
| SL-10436 | Black bezel |
| SL-10437 | Chrome bezel |
| SL-10438 | White bezel |
| SL-10439 | Mounting bracket - L shaped |



SL-10421X

- 9 high-power diodes
- ECE R65 double flash pattern, amber
- Certified to ECE R65 for horizontal mounting
- Certified to ECE R10
- Multi-voltage 10-30Vdc
- Multiple units can be synchronised
- Reverse polarity protected
- IP67
- **Featuring just one flash pattern, SL-10421X offers easy and time-saving installation**



| Part Number | Description |
|-------------|-----------------------------------|
| SL-10421X | R65 LED directional light - amber |

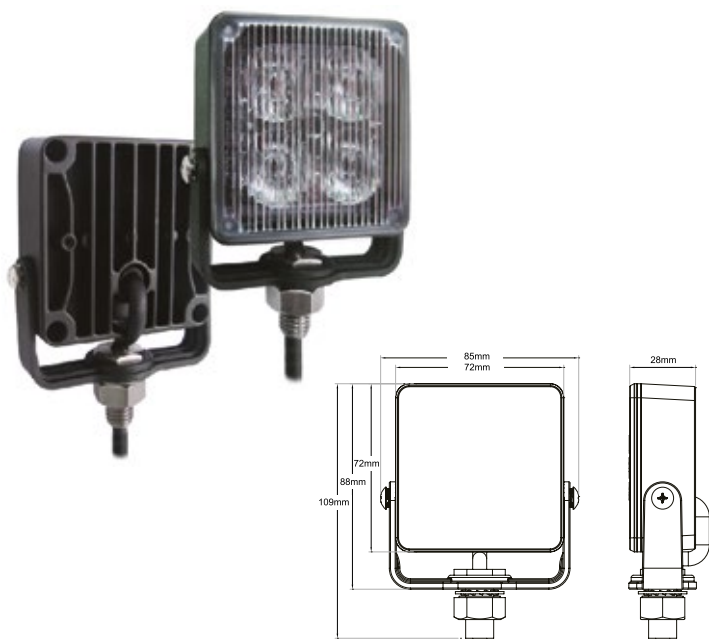


SL-10426

- 6 high-power diodes
- ECE R65 double flash pattern, amber
- Certified to ECE R65 for vertical mounting
- Certified to ECE R10
- Multi-voltage 10-30Vdc
- Multiple units can be synchronised
- Reverse polarity protected
- IP67
- **Featuring just one flash pattern, SL-10426 offers easy and time-saving installation**



| Part Number | Description |
|-------------|-----------------------------------|
| SL-10426 | R65 LED directional light - amber |



SL-1003X SERIES

- Clear lens with 4 coloured diodes
- Certified to ECE R65 (amber)
- Certified to ECE R10
- Multi-voltage 11-30Vdc
- 5 selectable flash patterns
- Multiple units can be synchronised to flash simultaneously or alternately
- Single bolt bracket mount with horizontal and vertical adjustment
- Alternative surface mount capability
- IP67



| Part Number | Description |
|-------------|--------------------------------|
| SL-10031 | Evader LED directional - amber |
| SL-10033 | Evader LED directional - blue |

SL-1040X SERIES

- 6 high-power diodes
- Certified to ECE R65 in amber and blue
- Certified to ECE R10
- Dual-voltage 12/24Vdc
- 15 selectable flash patterns
- Multiple units can be synchronised to flash simultaneously or alternately
- IP67
- Side optic for wide angle visibility



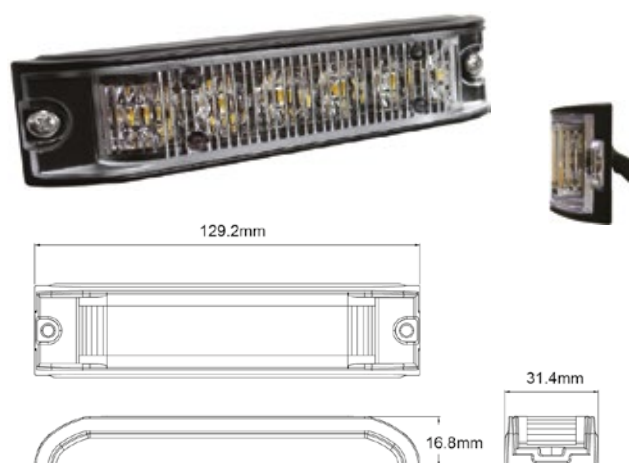
| Part Number | Description |
|-------------|-----------------------------|
| SL-10401 | R65 LED directional – amber |
| SL-10403 | R65 LED directional – blue |
| SL-10404 | LED directional – white |

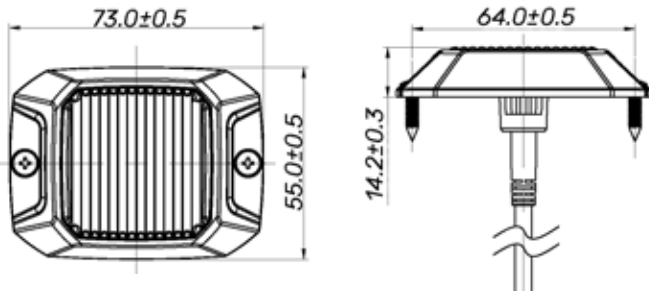
SL-1044X SERIES

- 9 high-power diodes
- Certified to ECE R65 **wide angle effect** in amber and blue
- Certified to ECE R10
- Dual-voltage 12/24Vdc
- 16 selectable flash patterns
- Up to 15 units can be synchronised to flash simultaneously or alternately
- IP68
- Featuring a unique design that provides true and certified 180° wide angle visibility



| Part Number | Description |
|-------------|----------------------------------|
| SL-10441 | R65 LED 180° directional - amber |
| SL-10443 | R65 LED 180° directional - blue |



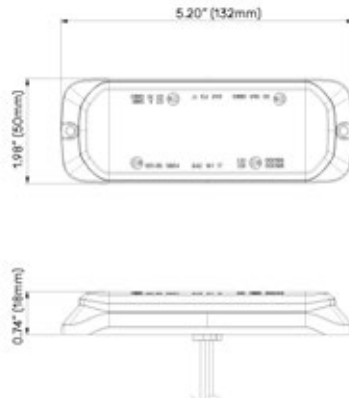


SL-1047X SERIES

- 4 high-power diodes
- Certified to ECE R65 (amber)
- Certified to ECE R10
- Dual-voltage 12/24V
- Multiple selectable flash patterns
- Multiple units can be synchronised
- Surface mounts
- IP69K
- **Class-beating light output**



| Part Number | Description |
|-------------|-----------------------------|
| SL-10471 | R65 LED directional – amber |
| SL-10472 | LED directional –red |
| SL-10473 | LED directional – blue |



SL-107XX SERIES LED DIRECTIONAL & MARKER LIGHT

- 6 high-power diodes
- Certified to ECE R65 in amber
- Certified to ECE R10
- Side marker certified to ECE R91
- Front/rear marker/position lights certified to ECE R7
- Multi-voltage 10-30Vdc
- 14 selectable flash patterns
- Multiple units can be synchronised to flash simultaneously or alternately
- Reverse polarity protected
- IP68
- **Combination R65 flashing LED directional and ECE certified position or side marker light**
- **Space saving, dual function capability offers ease of installation and simplified harness layout**



| Part Number | Description |
|-------------|--|
| SL-10711 | LED directional R65 amber + side marker light amber |
| SL-10721 | LED directional R65 amber (inner) + rear position light red (outer) |
| SL-10722 | LED directional red + rear position light red |
| SL-10741 | LED directional R65 amber (inner) + front position light white (outer) |
| SL-10758 | White bezel |
| SL-10759 | Chrome bezel |

SCENE LIGHTS

Overview

Our range of scene lighting utilises the very latest LED technology to illuminate both your vehicle and its immediate surroundings.

Available in a selection of lengths to make best use of the tightest of vehicle fitting spaces and with a simple surface-mount screw fix, these units are designed to provide an angled spread of downwards illumination. Low level hazardous vehicle areas are safely highlighted and the surrounding terrain is also amply illuminated to protect your work-force and ground personnel. The units are available in a selection of external colours to closely correspond to your vehicle colour scheme and carry our standard three year warranty terms.



3 year
Warranty

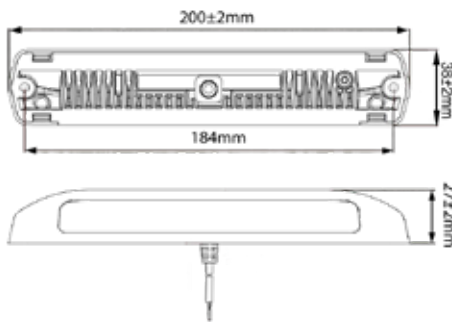
Market Sectors



| SCENE LIGHTS | | | |
|------------------|-------|---|------|
| Product | Image | Colours | Page |
| SL-09011X series | | Clear lens Black, yellow, white or red bezel | 7 |
| SL-09015X series | | Clear lens Black or white bezel | 7 |



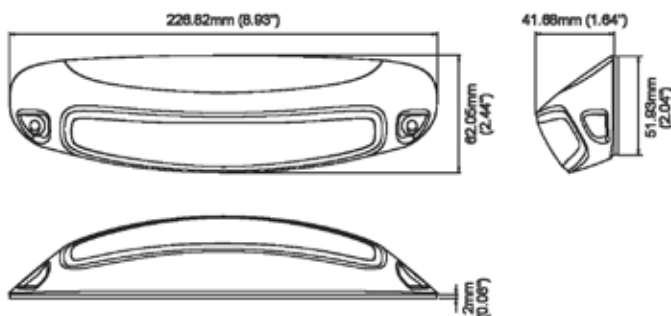
Clear lens when unlit



SL-09011 SERIES LED SCENE LIGHT

- 6 x Cree diodes
- 1300 effective lumens
- Certified to ECE R10
- Multi-voltage 10-30Vdc
- Beam angles: 120° horizontal, 60° side
- 240mm cable terminated in partially stripped wires
- Surface mount using concealed screws
- IP67

| Part Number | Description |
|-------------|---------------------------------------|
| SL-09011B | LED scene light, black bezel |
| SL-09011R | LED scene light, red bezel |
| SL-09011W | LED scene light, white bezel |
| SL-09011Y | LED scene light, yellow bezel |
| SL-09099B | Black bezel for SL-09011 scene light |
| SL-09099R | Red bezel for SL-09011 scene light |
| SL-09099W | White bezel for SL-09011 scene light |
| SL-09099Y | Yellow bezel for SL-09011 scene light |

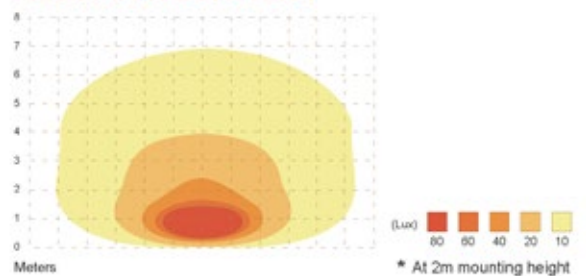


SL-09015 SERIES LED SCENE LIGHT

- 6 high-power white diodes
- 1460 lumens
- Certified to ECE R10
- 12/24Vdc
- Flood beam pattern
- Surface mount
- IP67

| Part Number | Description |
|-------------|--|
| SL-09015B | LED scene light, wide angle, black bezel |
| SL-09015W | LED scene light, wide angle, white bezel |

ILLUMINANCE PATTERN



LED WORK LIGHTS

Overview

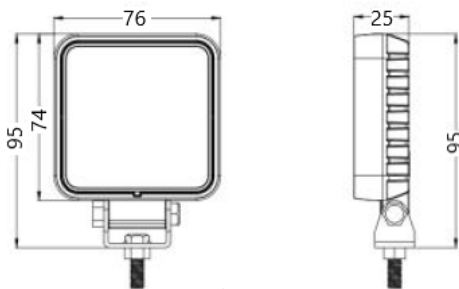
Our LED work lights are designed to provide optimal illumination of the work space around your vehicle. Available in various brightness levels, they ensure the flexibility to match your specific lighting needs. With their durable construction and state-of-the-art technology, they offer long-lasting performance.



Market Sectors



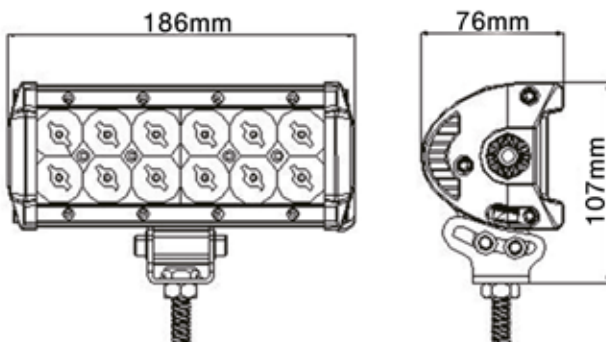
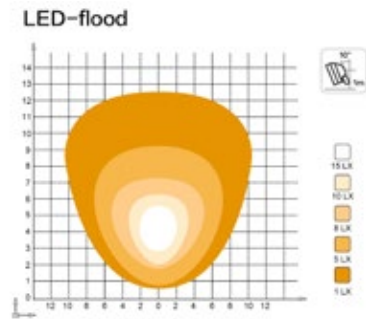
| LED WORK LIGHTS | | 3 year Warranty | |
|--------------------|----------|-----------------|------|
| Product | Image | Lumens | Page |
| SL-09043-12 | | 960 Lumens | 9 |
| SL-09046 | | 2700 Lumens | 9 |
| SL-09047 range | | 1920 Lumens | 10 |
| Magnetic work lamp | SL-10099 | 850 Lumens | 10 |



SL-09043-12 LED WORK LIGHT

- 12 x Osram LEDs
- Clear lens
- 960 Lumens
- Flood light pattern
- Certified to ECE R10
- Certified to ECE R23
- Multi-voltage 9-32Vdc
- 50cm cable with partially stripped wires
- IP68

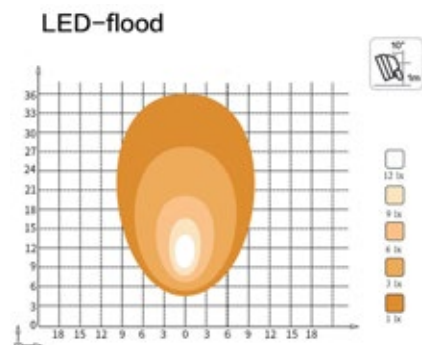
| Part Number | Description |
|-------------|----------------|
| SL-09043-12 | LED work light |

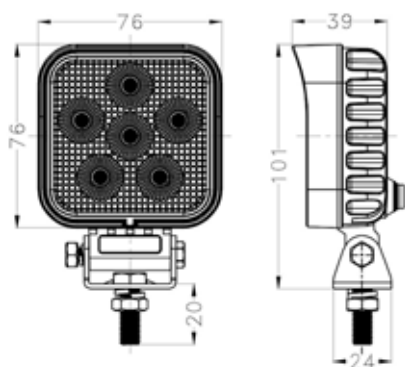


SL-09046 LED WORK LIGHT

- 12 x Cree XBD LEDs
- Clear lens
- 2700 Lumens
- Flood light pattern
- Certified to ECE R10
- Multi-voltage 9-32Vdc
- 41cm cable with partially stripped wires
- IP68

| Part Number | Description |
|-------------|----------------|
| SL-09046 | LED work light |

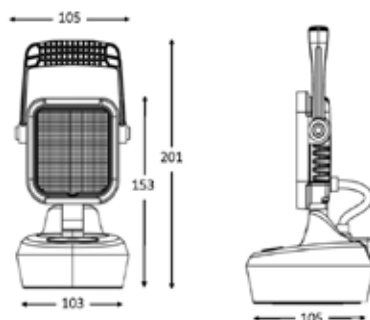
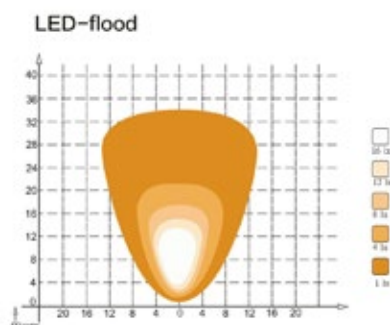




SL-09047 WORK LIGHT WITH INTEGRAL DEUTSCH CONNECTOR

- 23 x 1W Osram LEDs
- Clear lens
- 1920 lumens
- Flood light pattern
- Certified to ECE R10
- Multi-voltage 9-32Vdc
- IP68
- SL-09047-1 is supplied with mating DT plug and cable
- SL-09047-2 is for mating with customer's own DT plug terminated harness

| Part Number | Description |
|-------------|--|
| SL-09047-1 | 24W LED work light with integral DT connector plug & cable |
| SL-09047-2 | 24W LED work light with integral DT connector |



SL-10099 RECHARGEABLE MAGNETIC WORK LAMP

- 9 x 1W LEDs (white & amber)
- 850 lumens
- Wide flood beam pattern
- 12/24 Vdc
- 4 operating modes:
 - 100% intensity white
 - 50% intensity white
 - SOS flash amber
 - Flash white
- Supplied with in-car charger and AC charging cable (UK 3-pin plug or European 2-pin plug available)
- Heavy duty
- Magnetic base

| Part Number | Description |
|-------------|--|
| SL-10099 | Rechargeable magnetic work lamp, UK 3-pin plug |
| SL-10099EU | Rechargeable magnetic work lamp, European 2-pin plug |

LED BEACONS










Overview

Our high quality range of LED safety beacons offers a variety of products to choose from, including R65 & CAP168/ICAO specification. LED beacons come with a 3 year warranty.



Market Sectors



| LED BEACONS | | Mount | | | | Colours | Page |
|---|--|---|---|---|--|---|-------|
| Product | | 3 bolt | Magnetic | Din pole | Single bolt | | |
| Condor R65 LED beacons (CAP168/ICAO flash pattern selectable) |   |  |  |  |  | Amber, red, blue, white, green | 12-13 |
| Fulmar R65 beacon | | | Din pole |  | | Amber | 14 |
| Skua R65 beacon | | 3 bolt | |  | | Amber | 14 |
| Low profile compact beacon | | | 2 bolt |  | | Amber, red, blue, white, green | 14 |
| Merlin LED beacons | | 3 bolt | Magnetic | DIN pole | Single bolt | Clear lens with amber or blue LEDs (Green & magenta LEDs available on request, as well as coloured lenses) | 15 |

LED BEACONS

The Condor R65 LED beacon range is available with the following mounting options:

- Pole mount flexi
- Single bolt flexi
- 3 bolt
- Magnetic

CONDOR LED BEACON RANGE

- Utilises 18 high-powered Cree diodes
- Certified to ECE R65 (amber)
- Certified to ECE R10
- 5 selectable flash patterns, including R65 double flash and single flash (CAP168/ICAO)
- Dual-voltage 12/24V; operating range 10-30Vdc
- Very low current consumption
- Compact, aesthetically pleasing design
- Impact and UV-resistant polycarbonate lens
- IP65

| Flash Pattern | Flash Rate | Output | Compliance |
|--------------------|----------------------|--------|-------------|
| Double flash | 126 flashes / minute | 100cd | R65 (amber) |
| Single flash | 80 flashes / minute | 100cd | CAP168/ICAO |
| Double flash (dim) | 126 flashes / minute | 50cd | |
| Single flash (dim) | 80 flashes / minute | 50cd | |
| Steady on | | 50cd | |

Replacement lens kits available for all Condor LED beacons



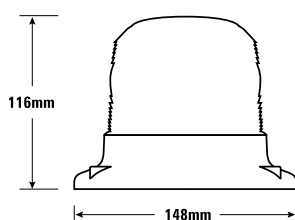
SL- 49001 - Amber

SL- 49002 - Red

SL- 49003 - Blue

SL- 49004 - White

SL- 49005 - Green



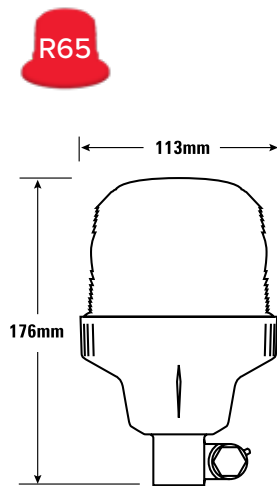
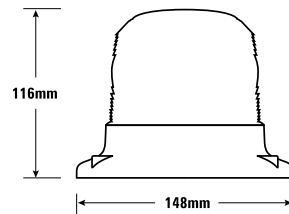
CONDOR LED R65 12/24V 3 BOLT MOUNT

| Part Number | R65 | Description |
|-------------|-----|-----------------------|
| SL-41511 | Yes | Condor 3 bolt - amber |
| SL-41512 | No | Condor 3 bolt - red |
| SL-41513 | No | Condor 3 bolt - blue |
| SL-41514 | No | Condor 3 bolt - white |
| SL-41515 | No | Condor 3 bolt - green |



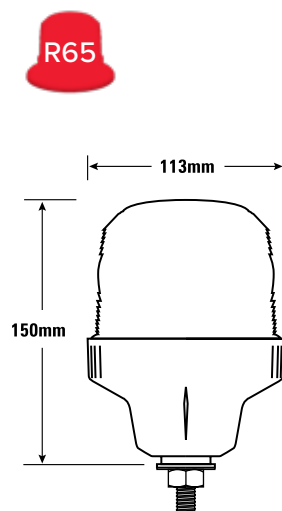
CONDOR LED R65 12/24V MAGNETIC MOUNT

| Part Number | R65 | Description |
|-------------|-----|---------------------------|
| SL-41521 | Yes | Condor mag. mount - amber |
| SL-41522 | No | Condor mag. mount - red |
| SL-41523 | No | Condor mag. mount - blue |
| SL-41524 | No | Condor mag. mount- white |
| SL-41525 | No | Condor mag. mount - green |



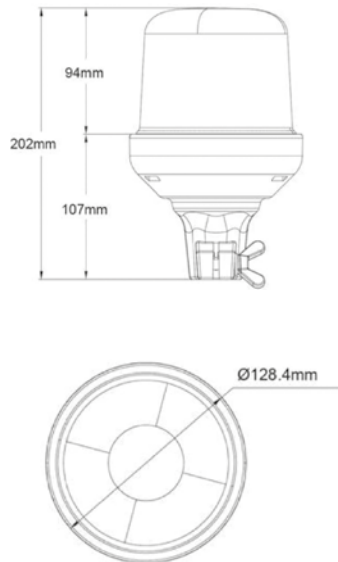
CONDOR LED R65 12/24V POLE MOUNT

| Part Number | R65 | Description |
|-------------|-----|---------------------------|
| SL-41541 | Yes | Condor pole mount - amber |
| SL-41542 | No | Condor pole mount - red |
| SL-41543 | No | Condor pole mount - blue |
| SL-41544 | No | Condor pole mount- white |
| SL-41545 | No | Condor pole mount - green |



CONDOR LED R65 12/24V SINGLE BOLT MOUNT

| Part Number | R65 | Description |
|-------------|-----|----------------------------|
| SL-41531 | Yes | Condor single bolt - amber |
| SL-41532 | No | Condor single bolt - red |
| SL-41533 | No | Condor single bolt - blue |
| SL-41534 | No | Condor single bolt- white |
| SL-41535 | No | Condor single bolt - green |

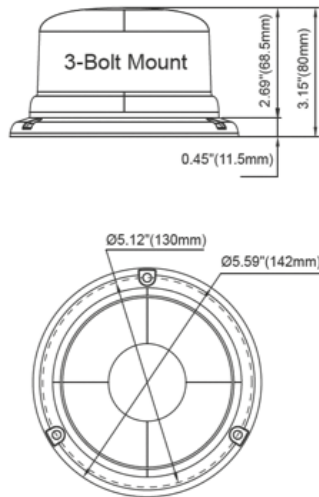


FULMAR ECE R65 LED BEACON

- Long life LEDs rated to 100,000 hours of operation
- Certified to ECE R65
- Certified to ECE R10
- 11 flash patterns
- Dual-voltage 12/24Vdc
- Reverse polarity protection
- Impact and UV-resistant polycarbonate lens
- IP66

R65

| Part Number | Description |
|-------------|-----------------------|
| SL-42241 | Fulmar LED pole mount |

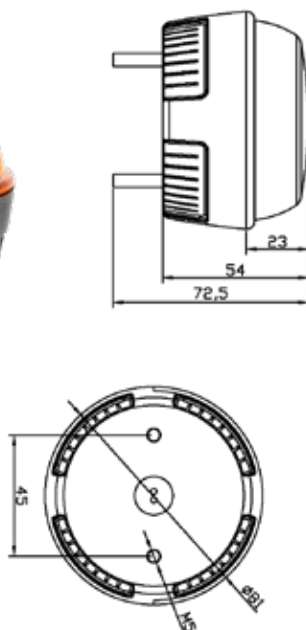


SKUA ECE R65 LED BEACON

- 8 x high power diodes
- Certified to ECE R65
- Certified to ECE R10
- 11 flash patterns
- Up to 4 units can be synchronised to flash simultaneously or alternately
- Dual-voltage 12/24Vdc; operating range 10-32Vdc
- Impact- and UV-resistant polycarbonate lens
- IP66
- **Low profile R65 LED beacon**

R65

| Part Number | Description |
|-------------|-----------------|
| SL-42511 | Skua LED 3 bolt |



COMPACT LOW PROFILE LED BEACON

- 20 LEDs
- Fresnel design on sides & top, providing better illumination
- Certified to ECE R10
- Quad flash pattern
- Multi-voltage: 10-110 Vdc
- 2 bolt base
- Impact- and UV-resistant polycarbonate lens
- IP65
- **Compact low profile LED beacon**

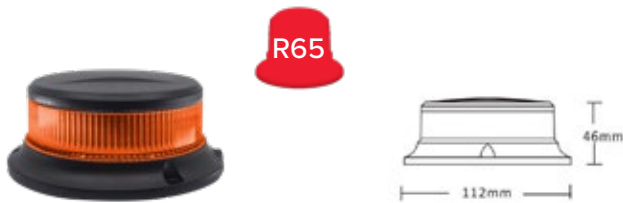
| Part Number | Description |
|-------------|--|
| SL-43001 | Compact low profile LED 2 bolt - amber |
| SL-43002 | Compact low profile LED 2 bolt - red |
| SL-43003 | Compact low profile LED 2 bolt - blue |
| SL-43004 | Compact low profile LED 2 bolt - white |
| SL-43005 | Compact low profile LED 2 bolt - green |

The Merlin R65 LED beacon range is available with the following mounting options:

- 3 bolt
- Magnetic
- Flexi DIN pole
- Single bolt

MERLIN LED BEACON RANGE

- 18 diodes
- Clear lens when unlit (coloured lenses available to order upon request)
- Certified to ECE R65 (amber & blue)
- Certified to ECE R10
- 7 selectable flash patterns
- Multi-voltage: 9-30Vdc
- Multi-unit synchronisation - up to 15 units
- Low profile: 46 mm high
- IP67



MERLIN LED R65 3 BOLT MOUNT

| Part Number | Description |
|-------------|---------------------------------------|
| SL-44611 | Merlin R65 3 bolt - amber, clear lens |
| SL-44613 | Merlin R65 3 bolt - blue, clear lens |

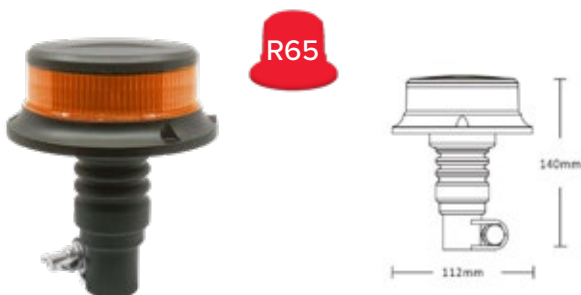
Green & magenta versions, as well as coloured lens options, are available to order upon request



MERLIN LED R65 MAGNETIC MOUNT

| Part Number | Description |
|-------------|---|
| SL-44621 | Merlin R65 magnetic - amber, clear lens |
| SL-44623 | Merlin R65 magnetic - blue, clear lens |

Green & magenta versions, as well as coloured lens options, are available to order upon request



MERLIN LED R65 FLEXI DIN POLE MOUNT

| Part Number | Description |
|-------------|---|
| SL-44641 | Merlin R65 flexi DIN pole - amber, clear lens |
| SL-44643 | Merlin R65 flexi DIN pole - blue, clear lens |

Green & magenta versions, as well as coloured lens options, are available to order upon request



MERLIN LED R65 SINGLE BOLT MOUNT

| Part Number | Description |
|-------------|--|
| SL-44631 | Merlin R65 single bolt - amber, clear lens |
| SL-44633 | Merlin R65 single bolt - blue, clear lens |

Green & magenta versions, as well as coloured lens options, are available to order upon request

LED CORNER LIGHTHEADS

Overview

Upgrade your vehicle's visibility with our cutting edge LED corner lighthouse. Ideal for van or vehicles with roof or ladder racks, it ensures excellent visibility and light distribution. With a powerful performance and stylish design, our corner lighthouse offers a wide viewing angle of 360° when mounted on all 4 corners of your vehicle.

3 year
Warranty



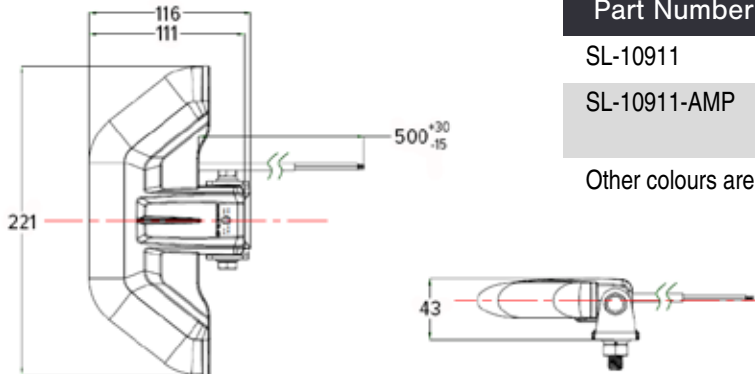
Market Sectors



| LED CORNER LIGHTHEAD | | | |
|----------------------|-------|--------------------------|------|
| Product | Image | Colours | Page |
| SL-10911-AMP | | Clear lens Amber LEDs | 17 |



Clear lens when unlit



LED CORNER LIGHTHEAD

- 3 strips high-power COB LEDs, amber
- Clear lens when unlit (amber available on request)
- Certified to ECE R65
- Certified to ECE R10
- 1 unit offers 150° light spread exceeding SAE J845 Class 1
- 2 units offer 270° coverage approved to ECE R65 HT1 Class 1 (amber)
- 4 units offer 360° coverage approved to ECE R65 T1 Class 1 (amber)
- 12 selectable flash patterns
- Multiple unit synchronisation
- Multiple units can be set to flash simultaneously
- Version terminated with an AMP connector also available, which is pre-set to R65 & non-programmable
- Multi-voltage 12/24Vdc
- Reverse polarity protection
- U-bracket with stainless steel mounting hardware
- IP67
- Low profile
- Corner unit offers expanded visibility

R65

Part Number

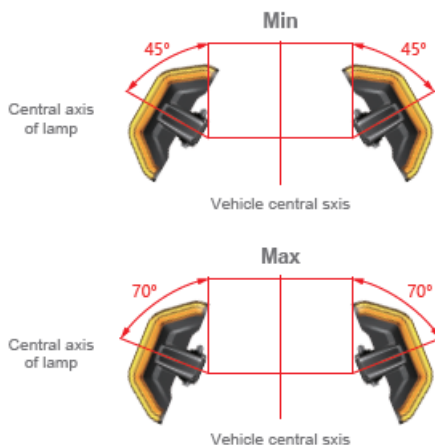
Description

SL-10911 R65 LED corner lighthouse - amber

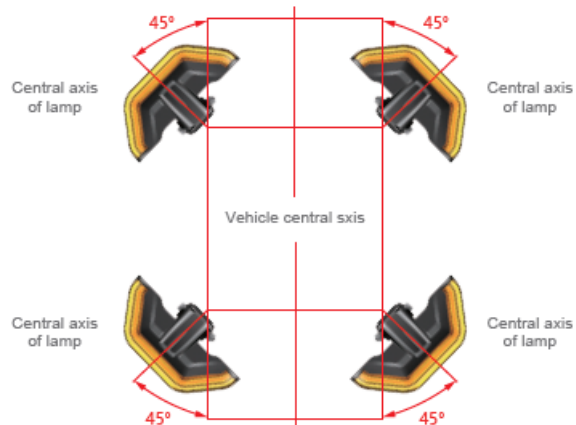
SL-10911-AMP R65 LED corner lighthouse - amber (non-programmable, pre-set to R65)

Other colours are available to order upon request

Category HT
270° warning coverage
(One pair of lights at the front or rear of vehicle)



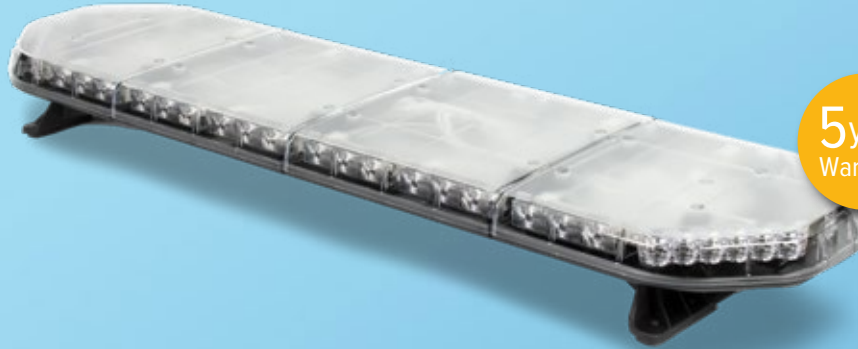
Category T
360° warning coverage
(Four units mounted on vehicle)



LED LIGHTBARS

Overview

Our certified Solis LED lightbar range features multiple configurations and an ease of fitting with plenty of mounting options to choose from. Solis LED lightbars come with a 5 year warranty.



5 year
Warranty

Market Sectors



| LED LIGHT BARS | | | |
|--------------------------|---|---|-------|
| Product | Image | Colours | Page |
| Mini LED lightbars |  <p>Diamondback LED mini-bar</p> | Amber LED diodes | 18 |
| Solis LED lightbar range |  | Amber, blue, red, green, white LED diodes Amber, blue, red, clear covers | 19-22 |



DIAMONDBACK LED MINI-BAR

- Compact mini-bar 35cm long
- Certified to ECE R65
- Certified to ECE R10
- Dual-voltage 12/24Vdc
- 2 bolt mount and vacuum-magnetic mount versions
- Single bolt mounting kit available separately
- 23 selectable flash patterns
- Multiple units can be synchronised
- 3 year warranty

| Part Number | Description |
|-------------|---|
| SL-20501 | Diamondback LED mini-bar, 2 bolt mount – amber |
| SL-20511 | Diamondback LED mini-bar, vacuum-magnetic mount – amber |
| SL-20599 | Diamondback single bolt mounting kit |

SOLIS LIGHTBAR RANGE OVERVIEW



- Low-profile mainstream lightbar
- Heavy duty extruded aluminium base with polycarbonate housing
- Easy maintenance dome design
- Optional colour lens, illuminated centre section, traffic director, take-down light, and/or alley light
- Lightbar lengths range from 24" up to 84" (for selected models)

FEATURES

- New 6LED large D-Fuser for corner lighthoods.
- New 3LED Fresnel optics for front/rear lighthoods.
- Dual-voltage 12/24V, operating range 11-30Vdc
- Easy maintenance and lamp replacement.
- Built-in 7 selectable flash patterns.
- Non-volatile memory recalls last flash pattern used at power up.
- Reverse polarity protection.
- 5 year warranty

LED lightbar 49"



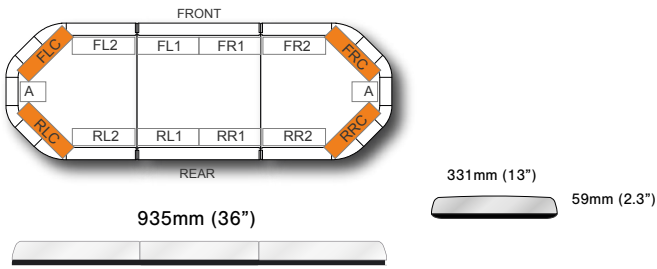
D-Fuser 6LED corner optics provide even light spread for effective 360 degree warning



Fresnel 3LED front /rear optics provide maximum head-on light projection for superior roadside warning

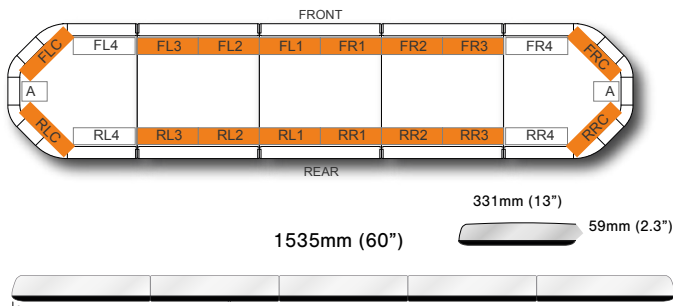
LAYOUT

SL-73000



- Example lightbar (SL-73000) is certified to ECE R65 using the 4 x 6LED large D-Fuser corner lighthouse modules and meets all R65 requirements.
- Additional front / rear lighthouse modules can be fitted, as required to suit your own configurations. See example (SL-75003)
- Lighthouse modules are available in amber / red / blue / white and green.

SL-75003



LIGHTHEAD MODULES

| Part Number | LEDs | LED Colour | Modules | Voltage |
|-------------|------|------------|---------|----------|
| SL-79011 | 3 | Amber | 1 | 11-30Vdc |
| SL-79012 | 3 | Red | 1 | 11-30Vdc |
| SL-79013 | 3 | Blue | 1 | 11-30Vdc |
| SL-79014 | 3 | White | 1 | 11-30Vdc |
| SL-79015 | 3 | Green | 1 | 11-30Vdc |

EQUIPMENT & COLOURS

| |
|---|
| LED diode colours – amber, blue, red, white or green |
| Lens colour – amber, blue, red, clear |
| Driving lights – stop lights, tail lights, direction indicators |
| Work lights - Alley lights – LED |
| Opal centre, LED with or without lettering |
| Audio – sirens, speaker system |
| Additional options – flashing red to rear, front take downs (white flashing), traffic directors, cruise mode & dim function |

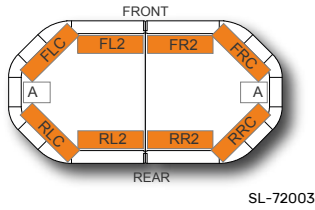
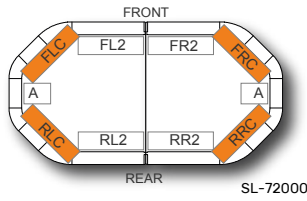


MOUNTING OPTIONS

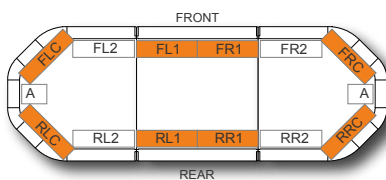
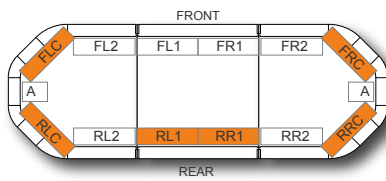
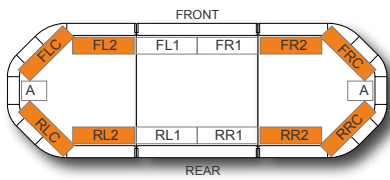
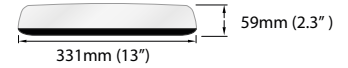


| Part Number | Image No. | Description |
|-------------|-----------|----------------------------------|
| SL-79001 | 1 | Standard feet mount ** |
| SL-79002 | 2 | Adjustable feet mount |
| SL-79003 | 3 | Flat narrow feet, surface mount |
| SL-79004 | 4 | Flat wide feet, surface mount |
| SL-79005 | 5 | Adjustable feet mount - (TYPE B) |

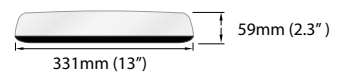
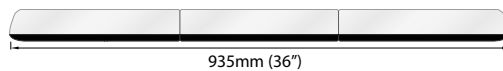
** These are the standard supplied mountings unless specified otherwise. NB. Additional charges will apply for other options.



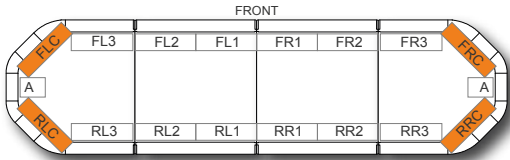
| Part Number | LEDs | LED Colour | Modules | Voltage | Plastic Colours | | Length (mm) | Length (inches) |
|-------------|------|------------|---------|----------|-----------------|--------|-------------|-----------------|
| | | | | | Top Cover | Lenses | | |
| SL-72000 | 24 | Amber | 4 | 11-30Vdc | Clear | Clear | 635mm | 24" |
| SL-72003 | 36 | Amber | 8 | 11-30Vdc | Clear | Clear | 635mm | 24" |



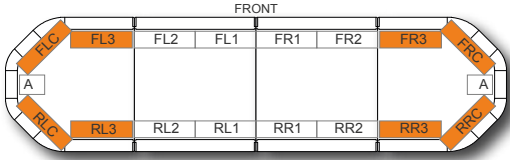
| Part Number | LEDs | LED Colour | Modules | Voltage | Plastic Colours | | Length (mm) | Length (inches) |
|-------------|------|------------|---------|----------|-----------------|--------|-------------|-----------------|
| | | | | | Top Cover | Lenses | | |
| SL-73000 | 24 | Amber | 4 | 11-30Vdc | Clear | Clear | 935mm | 36" |
| SL-73001 | 36 | Amber | 8 | 11-30Vdc | Clear | Clear | 935mm | 36" |
| SL-73002 | 30 | Amber | 6 | 11-30Vdc | Clear | Clear | 935mm | 36" |
| SL-73003 | 36 | Amber | 8 | 11-30Vdc | Clear | Clear | 935mm | 36" |



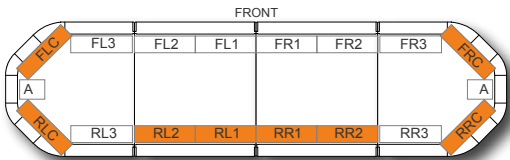
LED LIGHTBARS



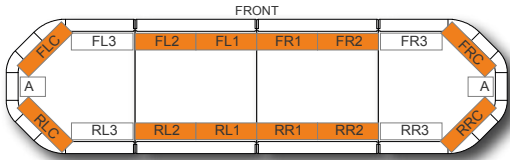
SL-74000



SL-74001



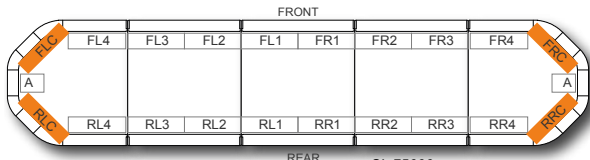
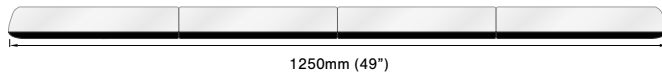
SL-74002



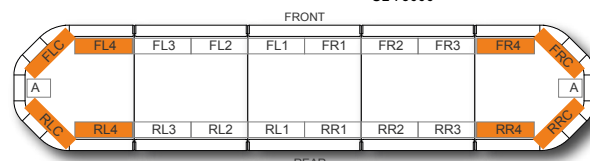
SL-74003



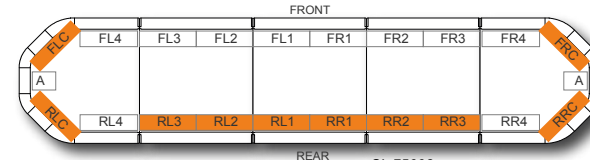
| Part Number | LEDs | LED Colour | Modules | Voltage | Plastic Colours | | Length (mm) | Length (inches) |
|-------------|------|------------|---------|----------|-----------------|--------|-------------|-----------------|
| | | | | | Top Cover | Lenses | | |
| SL-74000 | 24 | Amber | 4 | 11-30Vdc | Clear | Clear | 1250mm | 49" |
| SL-74001 | 36 | Amber | 8 | 11-30Vdc | Clear | Clear | 1250mm | 49" |
| SL-74002 | 36 | Amber | 8 | 11-30Vdc | Clear | Clear | 1250mm | 49" |
| SL-74003 | 48 | Amber | 12 | 11-30Vdc | Clear | Clear | 1250mm | 49" |



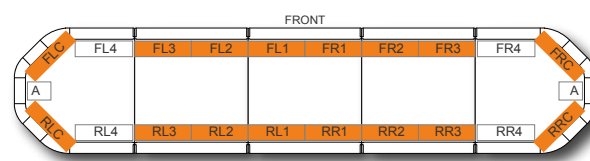
SL-75000



SL-75001



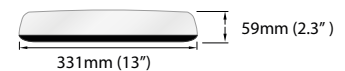
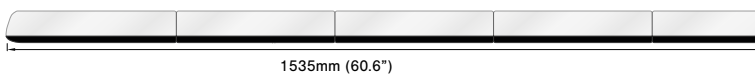
SL-75002



SL-75003



| Part Number | LEDs | LED Colour | Modules | Voltage | Plastic Colours | | Length (mm) | Length (inches) |
|-------------|------|------------|---------|----------|-----------------|--------|-------------|-----------------|
| | | | | | Top Cover | Lenses | | |
| SL-75000 | 24 | Amber | 4 | 11-30Vdc | Clear | Clear | 1535mm | 60" |
| SL-75001 | 36 | Amber | 8 | 11-30Vdc | Clear | Clear | 1535mm | 60" |
| SL-75002 | 42 | Amber | 10 | 11-30Vdc | Clear | Clear | 1535mm | 60" |
| SL-75003 | 60 | Amber | 16 | 11-30Vdc | Clear | Clear | 1535mm | 60" |



LED FORWARD LIGHTING

Overview



Our forward lighting range represents the latest in LED technical innovation to help you see and to be seen. LED forward lighting ensures maximum road safety, no fuss fitments and offers outstanding protection to you and your vehicle – no matter the conditions.

Our LED high-level option designed predominantly for industrial, plant and machinery applications, offers a fully functional alternative to standard halogen, providing both high and low beam operation along with a daytime running light and front and rear illuminating indicators. This high level LED unit can be mounted either horizontally or vertically making it the ideal choice to provide the sharpest of light exactly where you need it.



Market Sectors

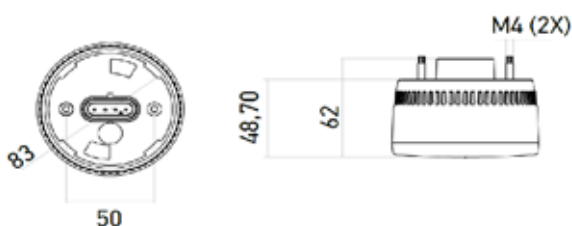


| FORWARD LIGHTING | | 3 year Warranty | |
|------------------|---|---|------|
| Product | Image | Function | Page |
| SVL-010001 |  | Combined LED direction indicator, position light, daytime running light | 24 |
| SVL-010004 |  | Combination high/low beam headlight, direction indicator, daytime running light | 24 |



83MM COMBINED LED DIRECTION INDICATOR, POSITION LIGHT, DAYTIME RUNNING LIGHT

- Combined LED direction indicator, position light & daytime running light
- 10 x white LEDs - position light & daytime running light
4 x amber LEDs - direction indicator
- Clear lens when unlit
- Certified to ECE R10
- Certified to ECE R6, R7, R87
- Multi-voltage: 9-32Vdc
- Reverse polarity protected
- Rear M5 screws
- IP67



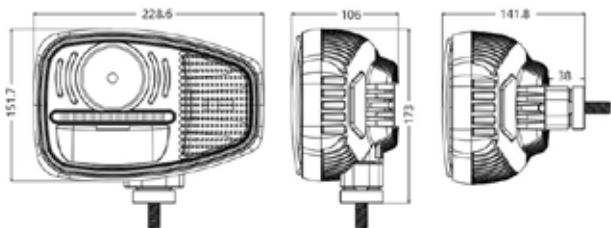
| Part Number | Description |
|-------------|---|
| SVL-010001 | 83mm combined LED direction indicator, position light & daytime running light |

9-INCH COMBINATION HEADLIGHT



- Combination low/high beam headlight, direction indicator & daytime running light
- 1 x 30W Osram LED - low beam
1 x 30W Osram LED - high beam
1 x 12W Osram LED - direction indicator
2 x 5W Osram LED - daytime running light
- Clear lens when unlit
- Certified to ECE R10
- Certified to ECE R6, R87, R112
- Multi-voltage: 9-32Vdc
- Reverse polarity protected
- Single bolt mount. Bolt fixing repositionable for either horizontal or vertical mounting
- IP68

| Part Number | Description |
|--------------------|---|
| SVL-010004-ECE-LHT | 9-inch combination low/high beam headlight, PAIR , direction indicator & daytime running light, left-hand traffic |
| SVL-010004-ECE-RHT | 9-inch combination low/high beam headlight, PAIR , direction indicator & daytime running light, right-hand traffic |



**Single units are available upon request*

| Order Code | Page | Order Code | Page | Order Code | Page |
|-------------|------|--------------|------|--------------------|------|
| SL-09011B | 7 | SL-10472 | 5 | SL-44611 | 15 |
| SL-09011R | 7 | SL-10473 | 5 | SL-44613 | 15 |
| SL-09011W | 7 | SL-10651 | 2 | SL-44621 | 15 |
| SL-09011Y | 7 | SL-10711 | 5 | SL-44623 | 15 |
| SL-09015B | 7 | SL-10721 | 5 | SL-44631 | 15 |
| SL-09015W | 7 | SL-10722 | 5 | SL-44633 | 15 |
| SL-09043-12 | 9 | SL-10741 | 5 | SL-44641 | 15 |
| SL-09046 | 9 | SL-10758 | 5 | SL-44643 | 15 |
| SL-09047-1 | 10 | SL-10759 | 5 | SL-49001 | 12 |
| SL-09047-2 | 10 | SL-10911 | 17 | SL-49002 | 12 |
| SL-09099B | 7 | SL-10911-AMP | 17 | SL-49003 | 12 |
| SL-09099R | 7 | SL-20501 | 18 | SL-49004 | 12 |
| SL-09099W | 7 | SL-20511 | 18 | SL-49005 | 12 |
| SL-09099Y | 7 | SL-20599 | 18 | SL-72000 | 21 |
| SL-10031 | 4 | SL-41511 | 12 | SL-72003 | 21 |
| SL-10033 | 4 | SL-41512 | 12 | SL-73000 | 21 |
| SL-10099 | 10 | SL-41513 | 12 | SL-73001 | 21 |
| SL-10099EU | 10 | SL-41514 | 12 | SL-73002 | 21 |
| SL-10401 | 4 | SL-41515 | 12 | SL-73003 | 21 |
| SL-10403 | 4 | SL-41521 | 13 | SL-74000 | 22 |
| SL-10404 | 4 | SL-41522 | 13 | SL-74001 | 22 |
| SL-10421X | 3 | SL-41523 | 13 | SL-74002 | 22 |
| SL-10426 | 3 | SL-41524 | 13 | SL-74003 | 22 |
| SL-10431 | 3 | SL-41525 | 13 | SL-75000 | 22 |
| SL-10436 | 3 | SL-41531 | 13 | SL-75001 | 22 |
| SL-10437 | 3 | SL-41532 | 13 | SL-75002 | 22 |
| SL-10438 | 3 | SL-41533 | 13 | SL-75003 | 22 |
| SL-10439 | 3 | SL-41534 | 13 | SL-79001 | 20 |
| SL-10441 | 4 | SL-41535 | 13 | SL-79002 | 20 |
| SL-10443 | 4 | SL-41541 | 13 | SL-79003 | 20 |
| SL-10451 | 2 | SL-41542 | 13 | SL-79004 | 20 |
| SL-10452 | 2 | SL-41543 | 13 | SL-79005 | 20 |
| SL-10453 | 2 | SL-41544 | 13 | SL-79011 | 20 |
| SL-10454 | 2 | SL-41545 | 13 | SL-79012 | 20 |
| SL-10459 | 2 | SL-42241 | 14 | SL-79013 | 20 |
| SL-10461 | 2 | SL-42511 | 14 | SL-79014 | 20 |
| SL-10462 | 2 | SL-43001 | 14 | SL-79015 | 20 |
| SL-10463 | 2 | SL-43002 | 14 | SVL-010001 | 24 |
| SL-10464 | 2 | SL-43003 | 14 | SVL-010004-ECE-LHT | 24 |
| SL-10469 | 2 | SL-43004 | 14 | SVL-010004-ECE-RHT | 24 |
| SL-10471 | 5 | SL-43005 | 14 | | |



+44 (0)1296 340045



sales@petersoneurope.co.uk
sales@petersoneurope.eu



www.sentinelvehiclelighting.com



Peterson Europe, United Kingdom
Unit D9, Brunel Gate
Telford Close
Aylesbury HP19 8AR,
United Kingdom

sentinel
vehicle lighting

Peterson Europe
Vehicle lighting solutions
by design, by technology, by quality

Peterson Europe BV, Belgium
@Laebens Logistics,
Blokkestraat 34C
BE 8550 Zwevegem, Belgium